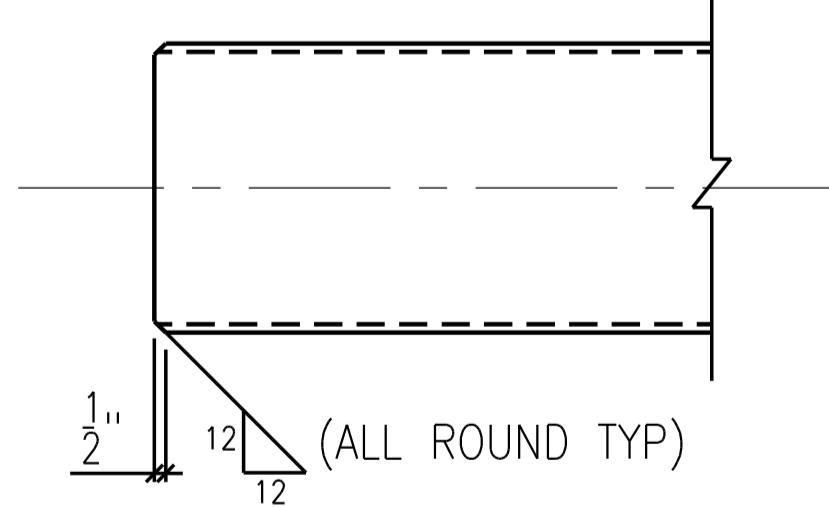
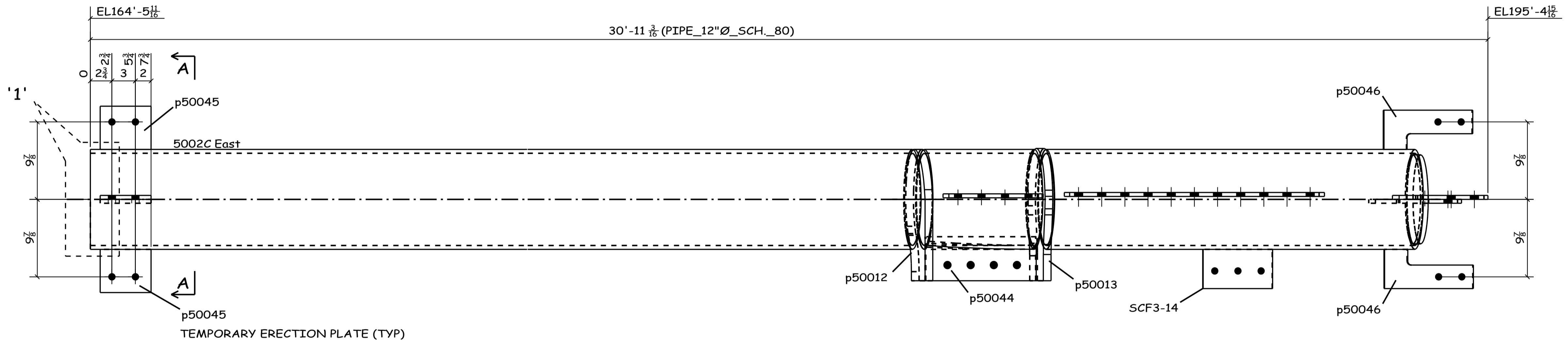
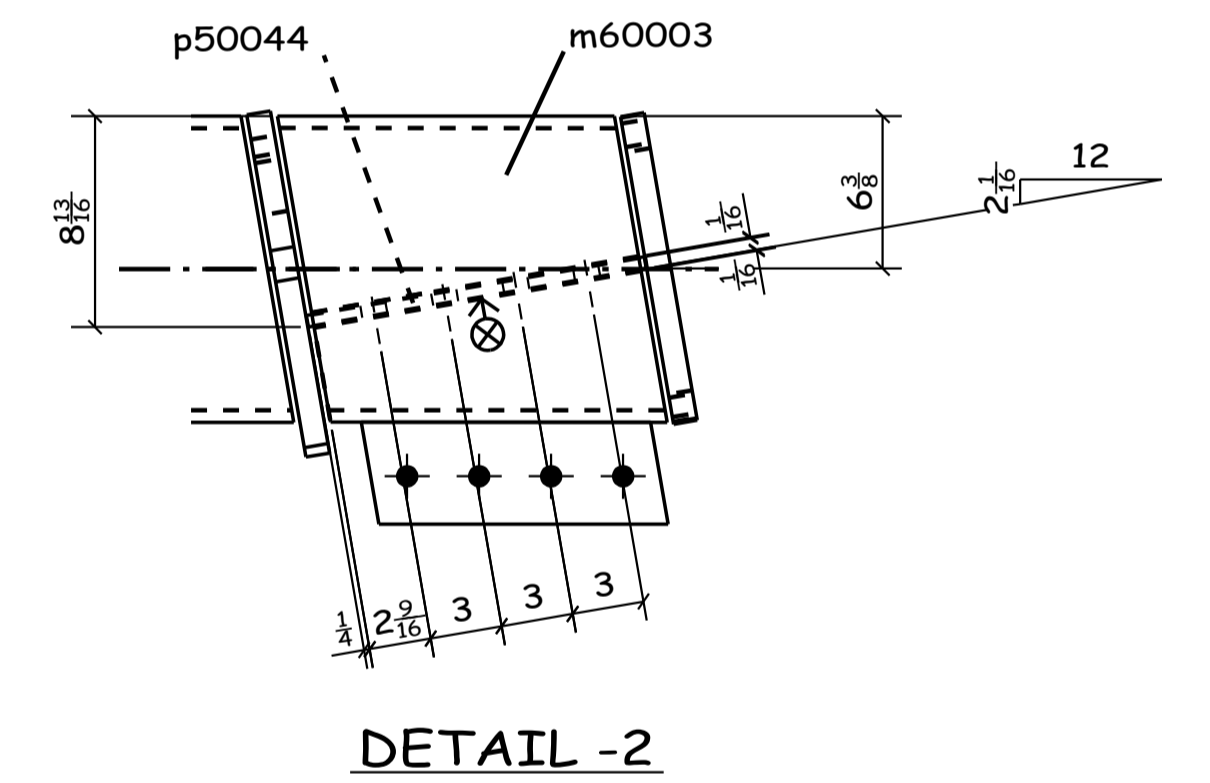
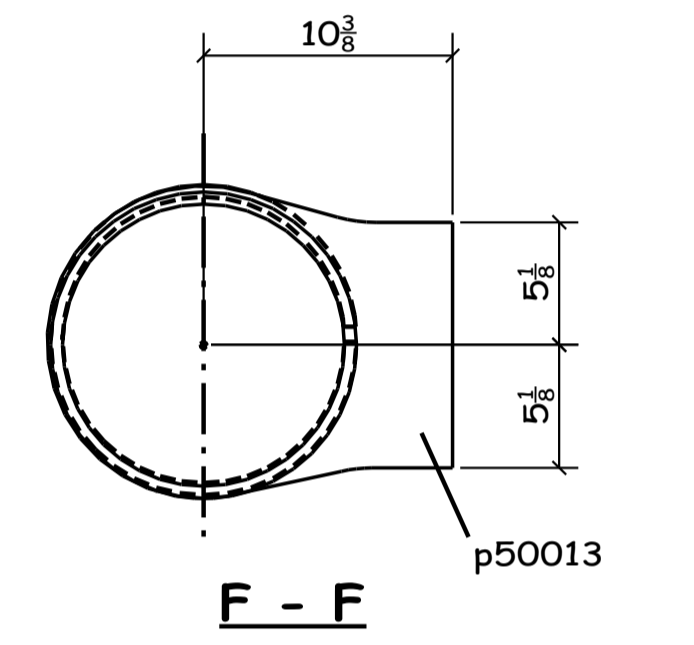
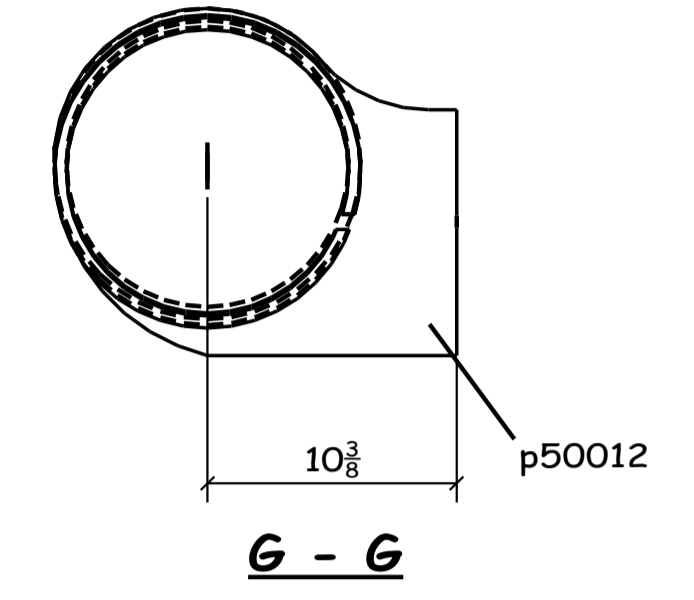
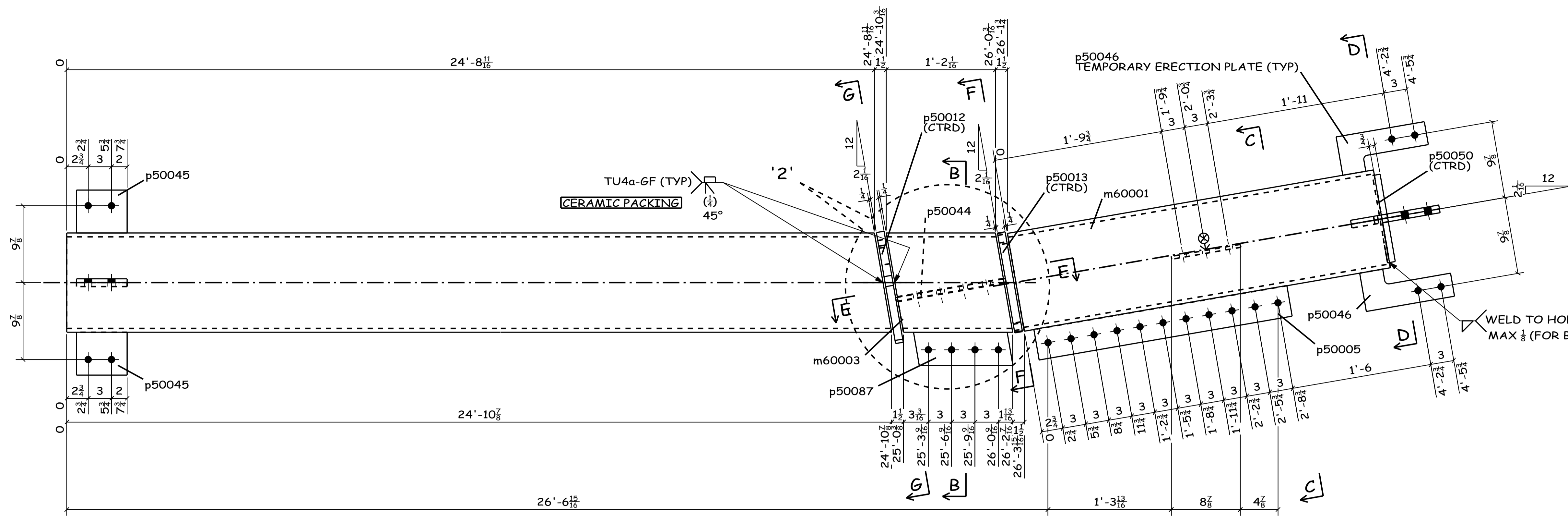


d	12 3/4"
tw	
bf	
tf	

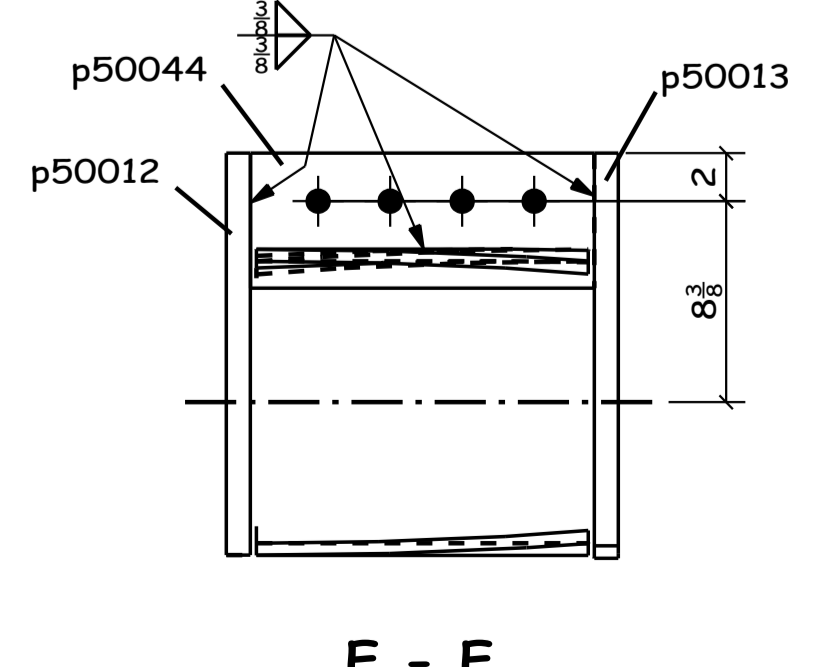
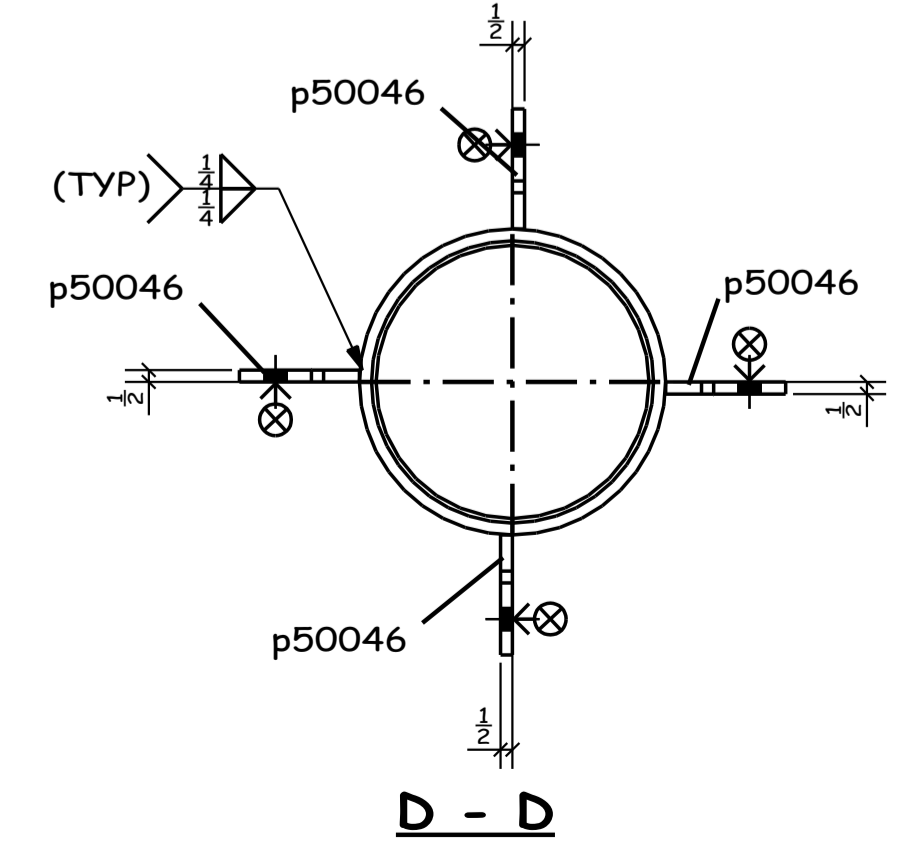
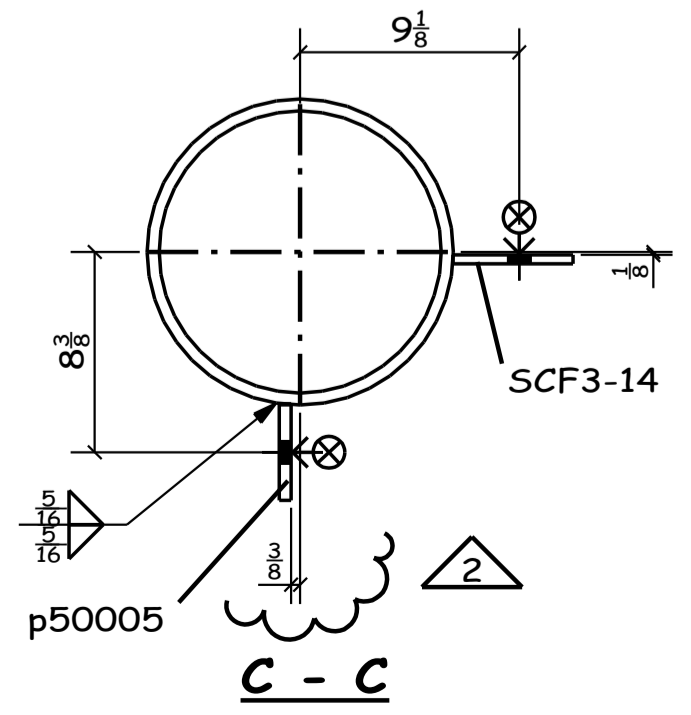
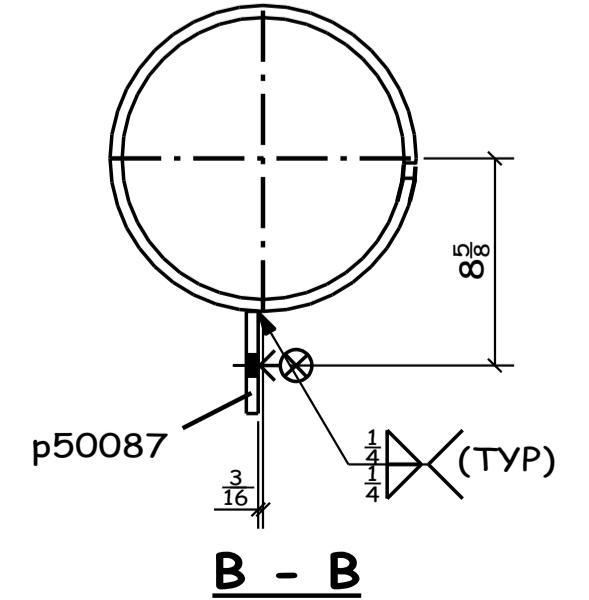
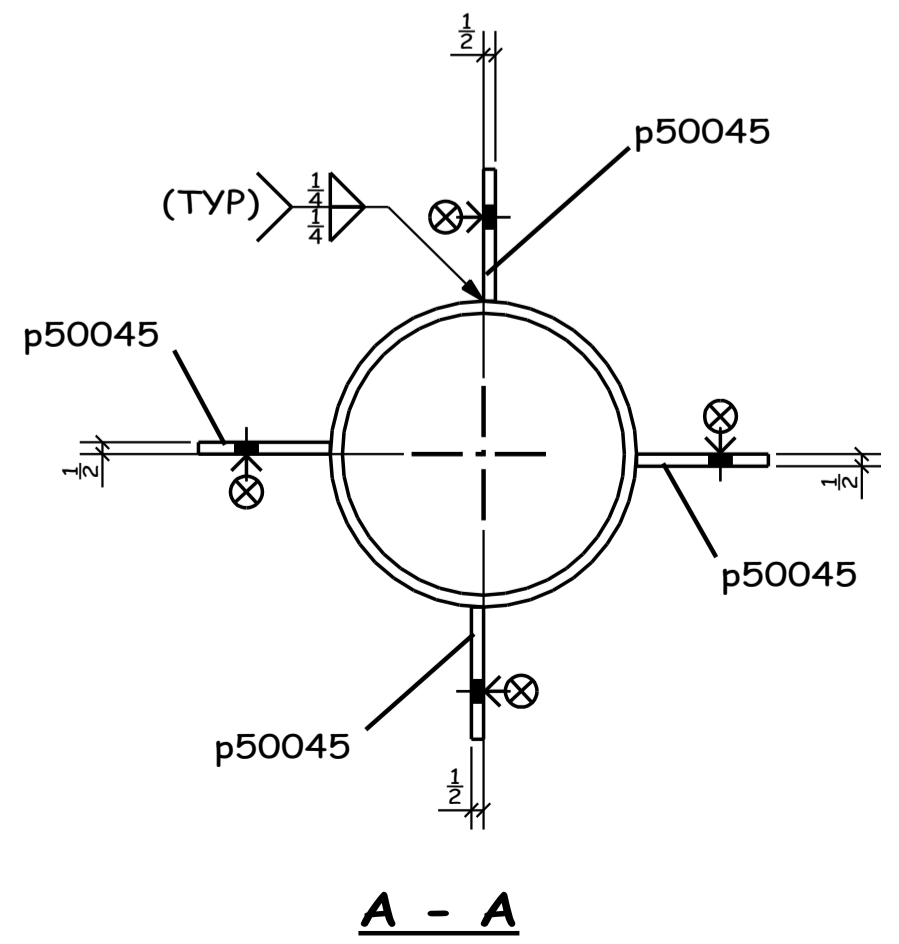
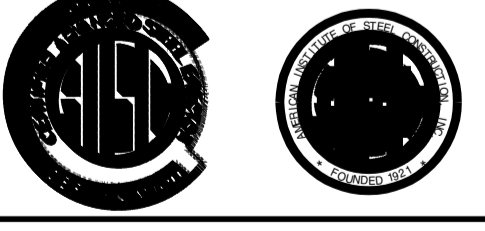
TOTAL QTY	UNIT QTY	MARK	DESCRIPTION	LENGTH	UNIT WT.	REMARKS	PGLN
1	1	5002C	COLUMN				
1	1	5002C	PIPE 12"Ø SCH. 80	24'-10 7/8"	1627	A500-GR.B F2E P.1E B.1E.	
1	1	SCF3-14	PL3/8X5	0'-9"	5		
1	1	m60001	PIPE 12"Ø SCH. 80	3'-11 3/4"	260	A500-GR.B F2E	
1	1	m60003	PIPE 12"Ø SCH. 80	1'-4 1/4"	89	A500-GR.B F2E B.2E.	
1	1	p50005	PL1/2X4	2'-9"	19		
1	1	p50012	PL1 X14 7/16	1'-4 3/4"	80		
1	1	p50013	PL1 X13	1'-4 7/8"	81		
1	1	p50044	PL1/2X5 5/8	1'-2 5/16"	11		
4	4	p50045	PL1/2X5 1/2	0'-6 1/2"	20		
4	4	p50046	PL1/2X5	0'-11 1/2"	33		
1	1	p50050	PL1 X11 3/8	0'-11 3/8"	37		
1	1	p50087	PL1/2X4 1/4	1'-0 3/4"	8		

UNIT QTY	FIELD BOLTS	LENGTH
9	7/8" DIA A325SC TC	BOLT 2 1/4"



SHIP	GRID LOC.	ELEV.	REF.	I.D. No.
300	10.3-10.4A.B.9	191-47716		11586209

SHOP NOTES:
 X = THE SIDE TO BE STRIPED
 * ALL COPES TO BE RADIUSED *



1 - COLUMN - 5002C

REV	DATE	REMARKS
2	10.25.06	PLATE DIMENSION CHANGED SJ
1	10.18.06	GENERAL REVISION SJ

CONTRACT NO.	1890	SHEET NO.	5002C
--------------	------	-----------	-------